



DCS-F5632E

2MP WDR (MOTORIZED)VF VANDAL-RESISTANT NETWORK IR FIXED DOME CAMERA

KEY FEATURES

Optics

- Day/Night Functionality
- SmartIR, up to 30m (98 ft) IR Distance
- Up to 120 dB OpticalWDR (Wide Dynamic Range)
- Lowlight Surveillance
- 2D/3D DNR (Digital Noise Reduction)
- Built-in Motorized Lens for Remote Zoom

Compression

- Ultra 265, H.264, MJPEG
- Embedded Smart Algorithm
- Triple Streams
- ROI (Region of Interest)
- 9:16 Corridor Mode

Network

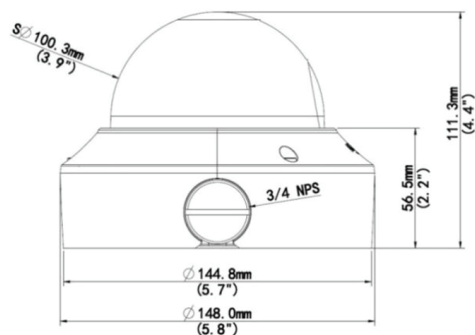
- ONVIF Conformance

Structure

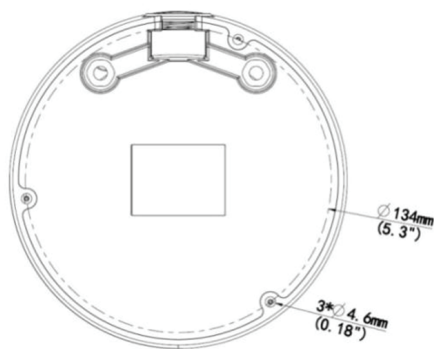
- Support PoE Power Supply
- Built-in PoE Splitter that Outputs DC 12V
- Wide Temperature Range: -40°C to 60°C (-40°F to 140°F)
- Wide Voltage Range of ±25%
- IK10 Vandal Resistant
- IP67
- 3-Axis

CAMERA					
Sensor	1/2.8", Progressive Scan, 2.0 megapixel, CMOS				
Lens	2.8-12mm, AF automatic focusing and motorized zoom lens				
DORI Distance	Lens	Detect(m)	Observe(m)	Recognize(m)	Identify(m)
	2.8mm	43.4	17.4	8.7	4.3
	12mm	186.2	74.5	37.2	18.6
Angle of View (H)	94.0°~28°				
Angle of View (V)	56.7°~14.4°				
Angle of View (O)	122.2°~34.4°				
Adjustment Angle	Pan: 0°~360° Tilt: 0°~80° Rotate: 0°~360°				
Shutter	Auto/Manual, 1~1/100000 s				
Minimum Illumination	Colour: 0.001 Lux (F1.6, AGC ON) 0Lux with IR				
Day/Night	IR-cut filter with auto switch (ICR)				
Digital Noise Reduction	2D/3D DNR				
S/N	>52dB				
IR Range	Up to 30m (98 ft) IR range				
Defog	Digital Defog				
WDR	120dB				
VIDEO					
Video Compression	Ultra 265, H.264, MJPEG				
H.264 Code Profile	Baseline profile, Main Profile, High Profile				
Frame Rate	Main Stream:2MP (1920x1080): Max. 30 fps; Sub Stream:2MP (1920x1080): Max. 30 fps; Third Stream:D1 (720x576): Max. 30 fps				
HLC	Supported				
BLC	Supported				
9:16 Corridor Mode	Supported				
OSD	Up to 8 OSDs				
Privacy Mask	Up to 8 areas				
ROI	Up to 8 areas				
Motion Detection	Up to 4 areas				
SMART					
Behavior Detection	Intrusion, Cross Line, Motion Detection				
Intrusion	Enter and Loiter in a pre-defined Virtual Region				
Cross Line	Cross a pre-defined Virtual Line				
Motion Detection	Moving within a pre-defined Virtual Region				
Recognition	Face Detection Audio Detection				
Intelligent Identification	Defocus, Scene Change, Object Left, Object Moving				
Statistical Analysis	People Counting				
General Function	Watermark, IP Address Filtering, Tampering Alarm, Alarm input, Alarm Output, Access Policy, ARP Protection, RTSP Authentication, User Authentication				
AUDIO					
Audio Compression	G.711				
Two-way Audio	Supported				
Suppression	Supported				
Sampling Rate	8 KHZ				
STORAGE					
Edge Storage	Micro SD, up to 256GB				
Network Storage	ANR				

DIMENSION



ACCESSORIES



NETWORK	
Protocols	IPv4, IGMP, ICMP, ARP, TCP, UDP, DHCP, PPPoE, RTP, RTSP, RTCP, DNS, DDNS, NTP, FTP, UPnP, HTTP, HTTPS, SMTP, 802.1x, SNMP
Compatible Integration	ONVIF(Profile S, Profile G, Profile T), API
INTERFACE	
Audio I/O	Audio cable Input: impedance 35 k ; amplitude 2 V [p-p] Output: impedance 600 ; amplitude 2 V [p-p]
Alarm I/O	1/ 1
Network	1 RJ45 10M/100M Base-TX Ethernet
Video Output	1 BNC, impedance 75 ; amplitude 1 V [p-p]
GENERAL	
Power	DC12V \pm 25%, PoE (IEEE802.3 af) Power Consumption: Max.7.2 W
Dimensions (\varnothing x H)	$\varnothing 148 \times 111.3 \text{ mm}$ ($\varnothing 5.8'' \times 4.4''$)
Weight	0.92 kg (2.0 lb)
Working Environment	-40°C ~ +60°C (-40°F ~ 140°F), Humidity :10%~90% RH (non-condensing)
Ingress Protection	IP67
Vandal Resistant	IK10
Reset Button	Supported