



### DCS-F5712E

#### 2MP VF NETWORK IR BULLET CAMERA

#### KEY FEATURES

##### Optics

- Day/Night Functionality
- Smart IR, up to 50m (164ft) IR Distance
- Up to 120 dB Optical WDR (Wide Dynamic Range)
- 2D/3D DNR (Digital Noise Reduction)

##### Compression

- Ultra 265, H.265, H.264, MJPEG
- Embedded Smart Algorithm
- Triple Streams
- ROI (Region of Interest)
- 9:16 Corridor Mode

##### Network

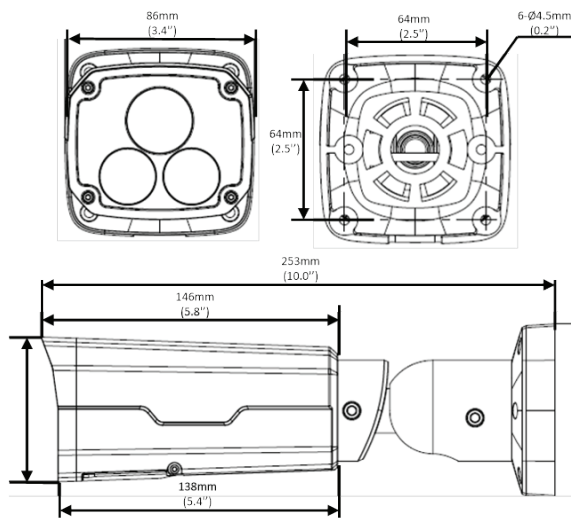
- ONVIF Conformance

##### Structure

- Support PoE Power Supply
- Wide Temperature Range: -35°C to 60°C (-31°F to 140°F)
- Wide Voltage Range of ±25%
- IP67
- 3-Axis

CAMERA					
Sensor	1/2.8", Progressive Scan, 2.0Megapixel, CMOS				
Lens	2.8-12mm@F1.6				
DORI Distance	Lens	Detect(m)	Observe(m)	Recognize(m)	Identify(m)
	2.8mm 12mm	45 192.9	18 77.1	9 38.6	4.5 19.3
Angle of View(H)	94.0° ~ 28°				
Angle of View (V)	56.7°~14.4°				
Angle of View (O)	122.2°~34.4°				
Adjustment Angle	Pan: 0°~360° Tilt: 0°~90° Rotate: 0°~360°				
Shutter	Auto/Manual, 1~1/100000s				
Minimum Illumination	Colour: 0.002 Lux (F1.6, AGC ON)				
Day/Night	0 Lux with IR				
Digital Noise Reduction	IR-Cut Filter with Auto Switch (ICR)				
S/N	2D/3D DNR				
IR Range	>52dB				
Defog	Up to 50m (164 ft) IR Range				
WDR	Digital Defog				
VIDEO					
Video Compression	Ultra 265, H.265, H.264, MJPEG				
H.264 Code Profile	Baseline profile, Main Profile, High Profile				
Frame Rate	Main Stream: 2MP (1920x1080): Max. 30 fps; Sub Stream: 2MP (1920x1080): Max. 30 fps; Third Stream: D1 (720x576): Max. 30 fps				
9:16 Corridor Mode	Supported				
HLC	Supported				
BLC	Supported				
OSD	Up to 8 OSDs				
Privacy Mask	Up to 8 Areas				
ROI	Up to 8 Areas				
Motion Detection	Up to 4 Areas				
AUDIO					
Audio Compression	G.711				
Two-Way Audio	Supported				
Suppression	Supported				
Sampling Rate	8 KHZ				
SMART					
Behavior Detection	Intrusion, Cross Line, Motion Detection				
Behavior Detection	Intrusion, Cross Line, Motion Detection				
Intrusion	Enter and Loiter in a Pre-Defined Virtual Region				
Cross Line	Cross a Pre-Defined Virtual Line				
Motion Detection	Moving within a Pre-Defined Virtual Region				
Recognition	Face Detection Audio Detection				
Intelligent Identification	Defocus, Scene Change, Object Left, Object Moving				
Statistical Analysis	People Counting				
General Function	Watermark, IP Address Filtering, Tampering Alarm, Alarm input, Alarm output, Access Policy, ARP Protection, RTSP Authentication, User Authentication				
STORAGE					
Edge Storage	Micro SD, up to 256 GB				
Network Storage	ANR				
NETWORK					
Protocols	IPv4, IGMP, ICMP, ARP, TCP, UDP, DHCP, PPPoE, RTP, RTSP, RTCP, DNS, DDNS, NTP, FTP, UPnP, HTTP, HTTPS, SMTP, 802.1x, SNMP				
Compatible Integration	ONVIF(Profile S, Profile G, Profile T), API				

### DIMENSION



INTERFACE	
Audio I/O	Audio Cable Input: impedance 35 k ; amplitude 2 V [p-p] Output: impedance 600 ; amplitude 2 V [p-p]
Alarm I/O	1/ 1
Network	1 RJ 45 10M/100M Base-TX Ethernet
GENERAL	
Power	12 V DC±25%, PoE (IEEE802.3 af) Power Consumption: Max 9W
Dimensions (L × W × H)	253.4 × 86 × 71.7 mm (9.98" × 3.4" × 2.8")
Weight	1.0kg (2.2lb)
Working Environment	-35°C ~ +60°C (-31°F ~ 140°F), Humidity:10%~95% RH (non-condensing)
Ingress Protection	IP67