



DCS-F5722

2MP VF VANDAL-RESISTANT NETWORK IR BULLET CAMERA

KEY FEATURES

OPTICS

- Day/night functionality
- Smart IR , up to 30 m (98 ft) IR distance
- IR anti-reflection window to increase the infrared transmittance
- 2D/3D DNR (Digital Noise Reduction)

COMPRESSION

- Ultra 265,H.265, H.264, MJPEG
- Triple streams

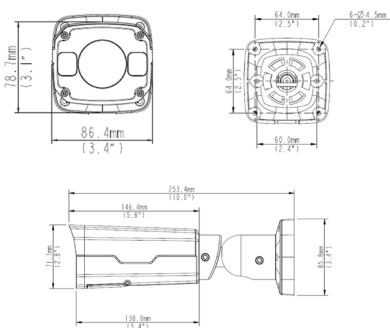
NETWORK

- ONVIF Conformance

STRUCTURE

- Wide temperature range: -30°C to 60°C (-22°F to 140°F)
- Wide voltage range of ±25%
- IP67
- 3-Axis

DIMENSIONS



Camera					
Sensor	1/2.7", 2.0 megapixel, progressive scan, CMOS				
Lens	2.8~12 mm, motorized zoom lens				
DORI Distance	Lens	Detect(m)	Observe(m)	Recognize(m)	Identify(m)
	2.8mm	42	16.8	8.4	4.2
	12mm	180	72	36	18
Angle of View (H)	112.7°~28.1°				
Angle of View (V)	60.1°~15.4°				
Angle of View (O)	146.5°~33.2°				
Adjustment angle	Pan: 0°~360°		Tilt: 0°~90°		Rotate: 0°~360°
Shutter	Auto/Manual, 1~1/100000 s				
Minimum Illumination	Colour: 0.01 Lux (F1.6, AGC ON) 0 Lux with IR on				
Digital noise reduction	2D/3D DNR				
Day/Night	IR-cut filter with auto switch (ICR)				
S/N	>52dB				
IR Range	Up to 30m (98 ft) IR range				
WDR	DWDR				
Video					
Video Compression	Ultra 265,H.265, H.264, MJPEG				
H.264 code profile	Baseline profile, Main Profile, High Profile				
Frame Rate	Main Stream:1080P (1920×1080): Max. 30 fps;				
	Sub Stream:720P (1280×720): Max. 30 fps;				
	Third Stream: D1(704×576): Max. 30 fps				
HLC	Supported				
BLC	Supported				
OSD	Up to 4 OSDs				
Privacy Mask	Up to 8 areas				
ROI	Up to 2 areas				
Motion Detection	Up to 4 areas				
Network					
Protocols	IPv4,IGMP,ICMP,ARP,TCP,UDP,DHCP, RTP,RTSP,RTCP,DNS,DDNS,NTP,FTP,UPnP,HTTP,HTTPS,SMTP, SSL				
Compatible Integration	ONVIF(Profile S, Profile G, Profile T), API				
Interface					
Network	1 RJ45 100M Base-TX Ethernet				
Edge Storage	MicroSD, up to 256GB				
General					
Power	12 V DC±25%, PoE (IEEE802.3 af)				
	Power consumption: Max 6.5W				
Dimensions (L × W × H)	253.4×86×71.7mm(9.98"×3.4"×2.8")				
Weight	1kg (2.2lb)				
Working Environment	-30°C ~ +60°C (-22°F ~ 140°F), Humidity :10%~90% RH(non-condensing)				
Ingress Protection	IP67				